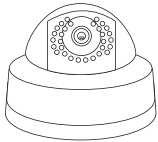


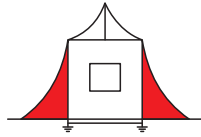


POE超薄、高集成度4KV防护方案

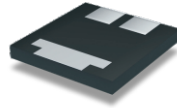
4KV protecting solutions of ultrathin and high integration POE



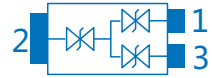
IP Camera



LPZ0_B-3



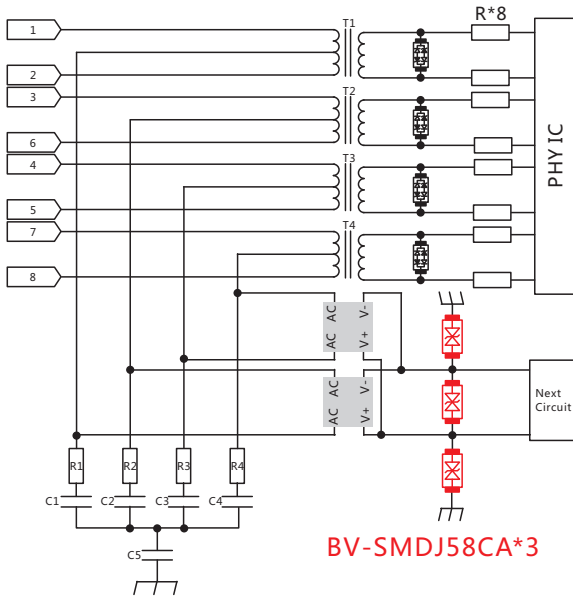
BV-DFNT58CAN



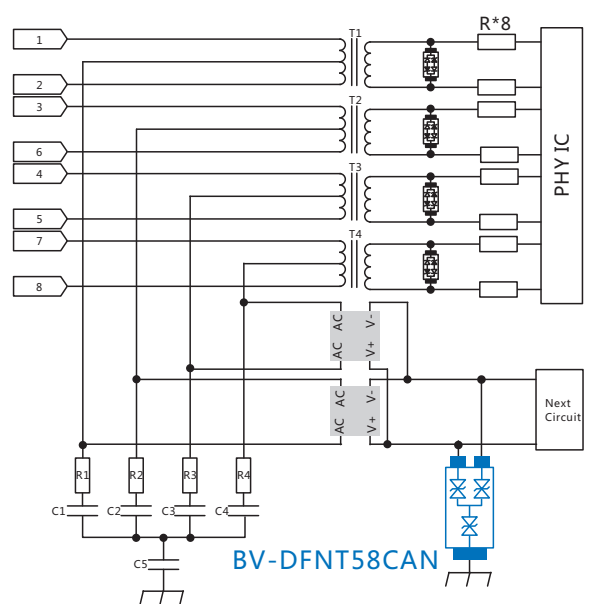
10/700-5/320 μ s 4KV-100A

$V_{BR} \geq 60V$ (Pin to Pin)

行业传统方案 Industrial traditional solutions



槟城创新方案 Bencent's innovative solutions



Off state Voltage		Breakdown Voltage		Clamp Voltage		Surge Waveform (μ s)	Ppp (W)	Package	Size L*W*H (mm)	Mark BI
V_{DRM} (V)	I_{DRM} 25°C(μ A) Max	V_{BR} (V) Max	I_R (mA)	V_C (V) Max	@ I_{PP} (A)					
58 (Pin1to2 Pin2to3 Pin1to3)	1	71.2 (Pin1to2 Pin2to3 Pin1to3)	1	93.6	53.5	10/1000	3000	SMC-T	8.0×5.9×3.0	C58CTS



深圳市槟城电子有限公司
Shenzhen Bencent Electronics Co.,Ltd.
+86-755-26515027/26515060-808
www.bencent.com.cn